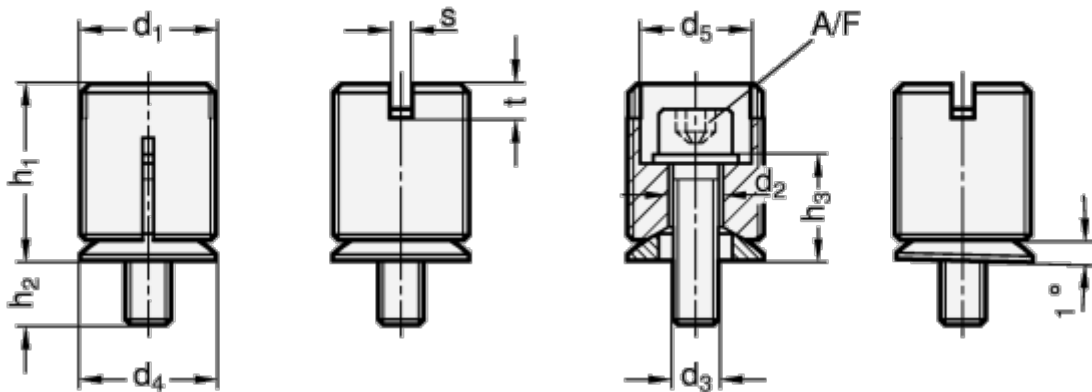


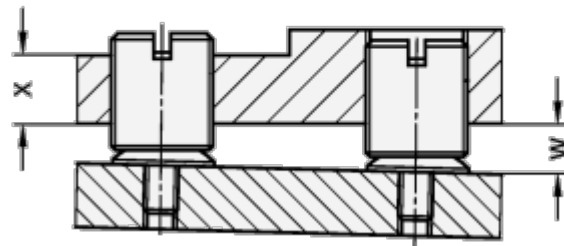
Article number: 20355M12145ST

Description: E+G Levelling elements, GN 355-M12x1-4.5-ST

Measures



Application example



A/F = 2	h3	= 9.1
d1 = M12x1	Load in KN	= 4.4
d2 = 4.5	s	= 2
d3 = M4	t	= 3
d4 = 12	Tool	= GN 355.1-12
d5 = 9.1	W.max	= 8
h1 = 19.1	Weight in (g)	= 11
h2 = 10.9	X.min	= 8